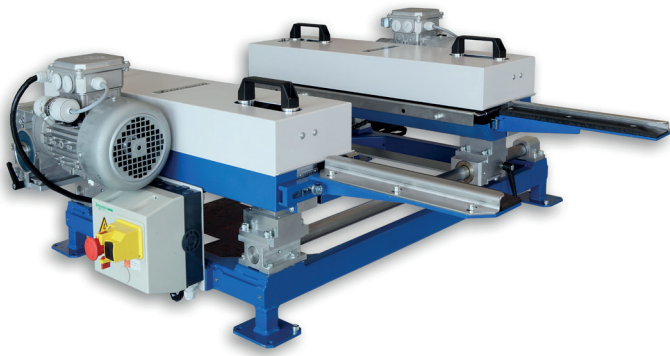


MINI-LIGHT Profiling machine

Schlebach
Profile technology for all roofs of the world



Compact, light and demountable machine suitable for hard-to-reach construction sites or small workshops

The purpose of the profiling machine MINI-LIGHT is to produce double standing seam profiles 25 from blanks or cut lengths in a single pass. The compact, light and disassembly-capable profiling machine is suitable for all difficult-to-access construction sites and smaller shop operations.

The MINI-LIGHT consists of 4 components and can be assembled to be ready in no time.

The infeed width is continuously variable from 250 mm to 730 mm to cater for a wide range of applications. The axial dimension of the profiled panels that are produced by a parallel run of the MINI-LIGHT ranges from 180 mm to 660 mm, taking into account a seam loss of about 70 mm.

A single-sided run can produce conical and oblique panels or infill strips from a centre-to-centre distance of 50 mm. The length of the shortest panel is approx. 500 mm. The production rate is 11 meters per minute.

After adjusting the infeed guides to match the width of the cut the profile shaping drive is turned on via the main switch and the cuttings or panels are then fed manually into the profiler while the drive is running.

The profiling units (tie-bars) with 7 shaping levels are supplied on a torsion-proof steel frame. The strip or sheet material is guided by lateral infeed guides on the fixed, as well as the adjustable side. These are adjustable to set the outer edges of the profile.

The profile rollers are made of high quality special steel and surface treated. This special treatment provides the rollers with a high level of corrosion and wear protection. The bearings of the upper profile rollers have resilient mounts in order to adapt to the material thickness. This ensures an impression-free and low-wear production of the panels.

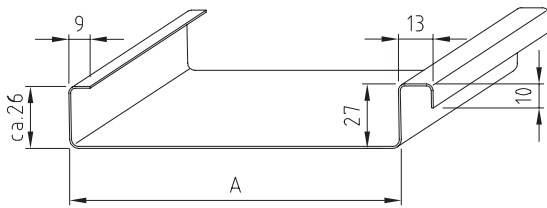
The profile shaping machine consists of 4 components and can be disassembled in a few simple steps. Thanks to the mounted carrying handles on each component, it is possible to transport the machine very easy to hard-to-reach areas.

Technical specifications

Supply voltage	230 V / 50 Hz / 1 Ph.
Drive power	2 x 0.55 kW
Operating speed	8 m/min
Forming stages	7 stations
Shortest panel length	500 mm
Infeed width	250 - 730 mm
Axial dimension	approx. 180 - 660 mm (depending on the material)
Infeed height	286 mm
Processable materials	Titanium zinc up to 0.8 mm Copper up to 0.8 mm Aluminium up to 0.8 mm Sheet steel (galvanized and coated) up to 0.7 mm Stainless steel up to 0.5 mm
Dimensions (L x W x H)	1,200 mm x 1,290 mm x 460 mm
Weight	155 kg

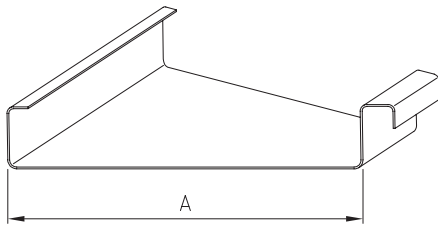


Possible profiles



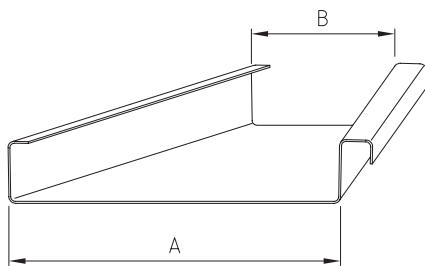
Standing seam 25

Width dimension "A" from 160 - 630 mm (parallel) - One run
 Width dimension "A" from 50 - 160 mm (seperately) - Two runs
 1st run "male" / 2nd run "female"



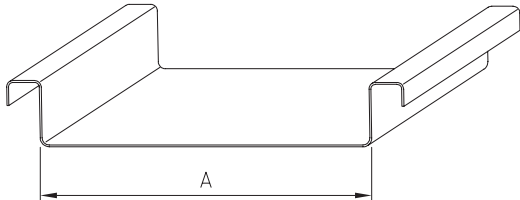
Standing seam 25 angled

Width dimension "A" from 160 - 630 mm (parallel) - One run
 Width dimension "A" from 50 - 160 mm (seperately) - Two runs
 1st run "male" / 2nd run "female"



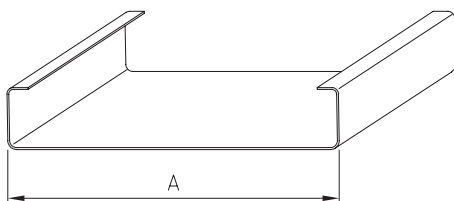
Standing seam 25 conical

Width dimension "A" from 50 - 600 mm /
 Width dimension "B" from 50 - 600 mm (seperately) - Two runs
 1st run "male" / 2nd run "female"



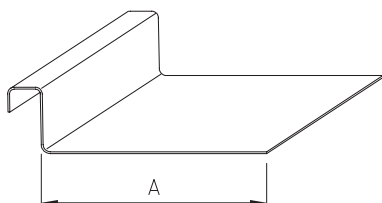
Standing seam 25 both sides "female"

Width dimension "A" from 50 - 600 mm (seperately) - Two runs



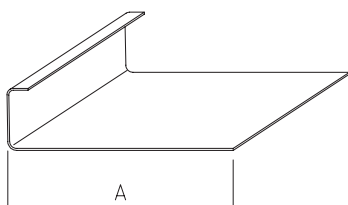
Standing seam 25 both sides "male"

Width dimension "A" from 60 - 600 mm (seperately) - Two runs



Standing seam 25 one side "female"

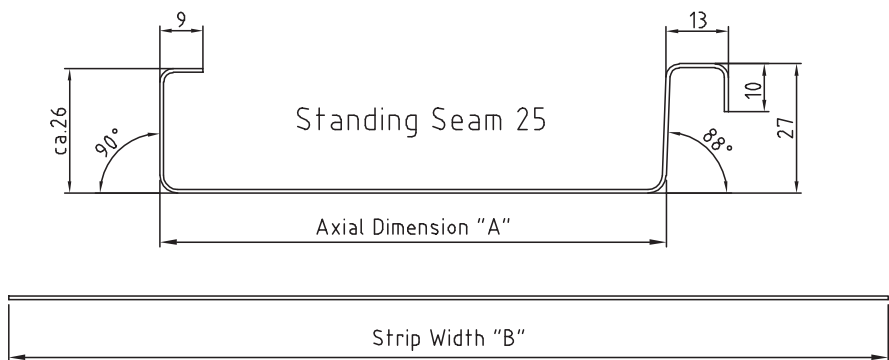
Width dimension "A" from 50 - 650 mm - One run



Standing seam 25 one side "male"

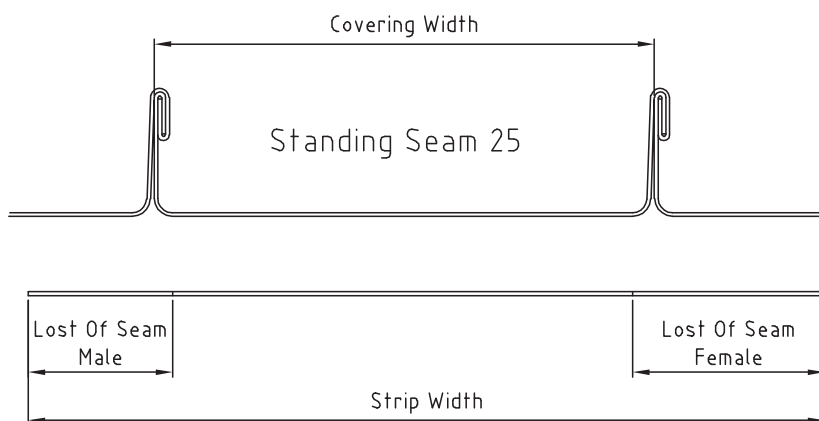
Width dimension "A" from 60 - 600 mm - One run

Strip width



Strip width „B“	Axial dimension „A“
300 mm	approx. 226 mm
400 mm	approx. 326 mm
500 mm	approx. 426 mm
600 mm	approx. 526 mm
700 mm	approx. 626 mm

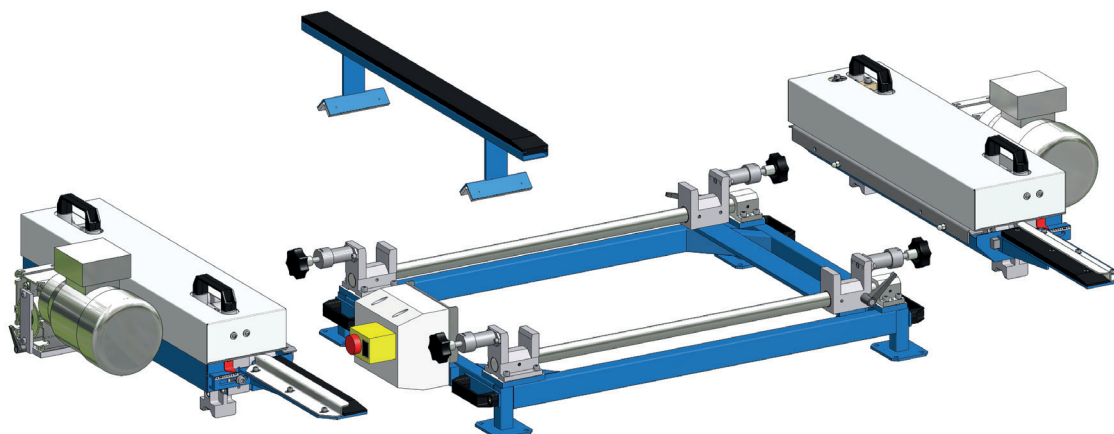
Covering width



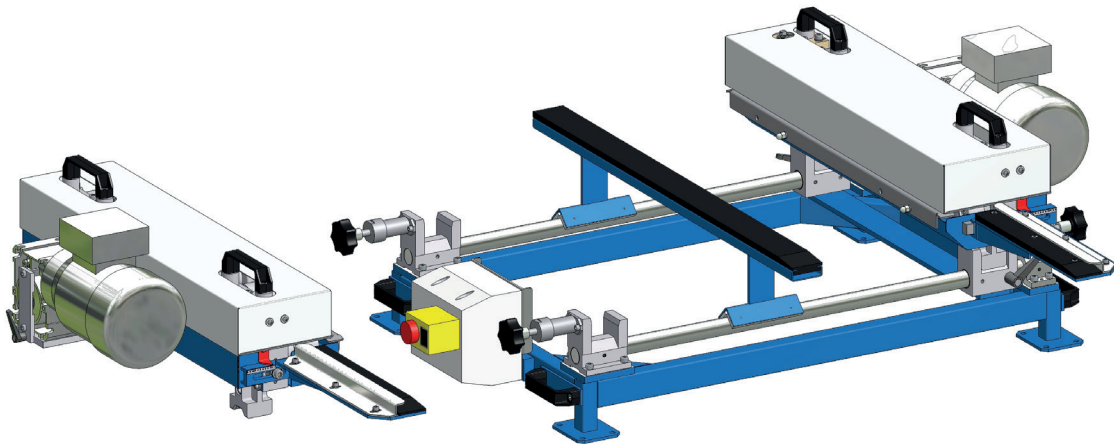
Strip width	Loss of seam (approx.)	Covering width (approx.)
300 mm	70 mm	230 mm
400 mm	70 mm	330 mm
500 mm	70 mm	430 mm
600 mm	70 mm	530 mm
700 mm	70 mm	630 mm

Assembly

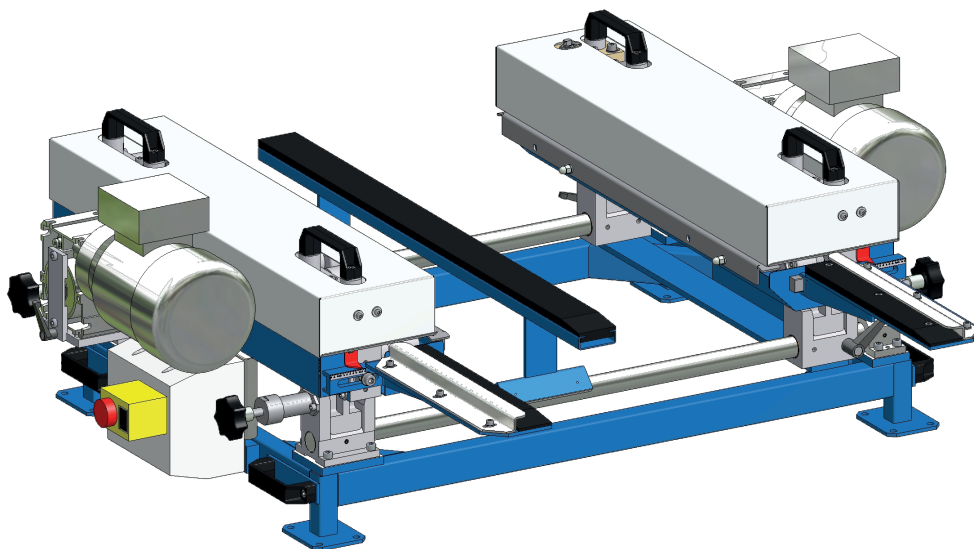
The profile shaping machine consists of 4 components and can be disassembled and assembled in a few simple steps without the need of any tools.



Mounting the tie-bar on the adjustable side and the centre support on the frame



Mounting the tie-bar on the fixed side



Schlebach-Maschinen GmbH
Nisterberger Weg 13
D – 57520 Friedewald
Phone: **+49 (0) 27 43 / 92 07-0**
Telefax: **+49 (0) 27 43 / 43 02**
Email: **info@schlebach.de**
Web: **www.schlebach.de**